

Installation guide.

Laminata installation guide for
horizontal and vertical timber
fencing.

Ready. Set. Fence.

Laminata



Contents:

- 1.0 Contents**
- 1.1 Tools + Storage & Handling**
- 1.2 Set out**
- 1.3 Post placement**
- 1.4 Post set up**
- 1.5 Conrete in posts**
- 1.6 Panle placement**
- 1.7 Fence assembly**
- 1.8 Fixing pattern**
- 1.9 Fixing and components**
- 1.10 Stepping for slope**
- 1.11 Stepping for street frontage**
- 1.12 Acceptable grading**
- 1.13 Unacceptable defects**
- 2.0 Quality Assurance Checklist**

Laminata

SHEET	SHEET TITLE: Contents
1.0	REVISION #:
ISSUED:	18/01/2018
PROJECT #:	16LAMI

Installation
Manual

PHONE: 021 215 5865
FAX: -



TOOLS YOU NEED

STORAGE AND HANDLING

Hammer and Mallet 

String lines 

Long Spirit Level 

Circular saw 

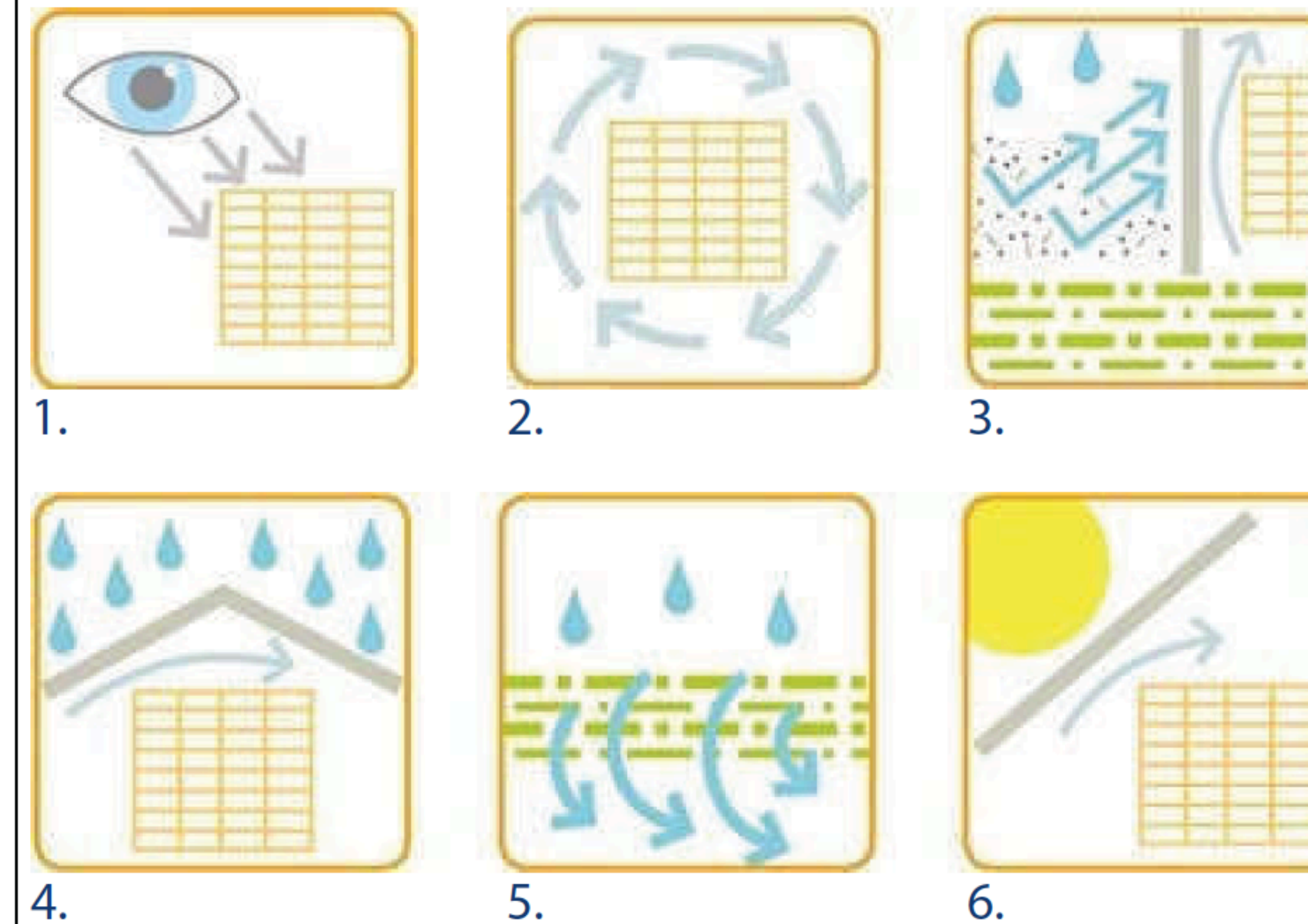
18v + battery equipment impact driver and complete drill with multiple up spare batteries 

Concrete mixer 

Digging tools i.e. spade post hole borer 

300 dia Auger 

Site equipment to clean up 

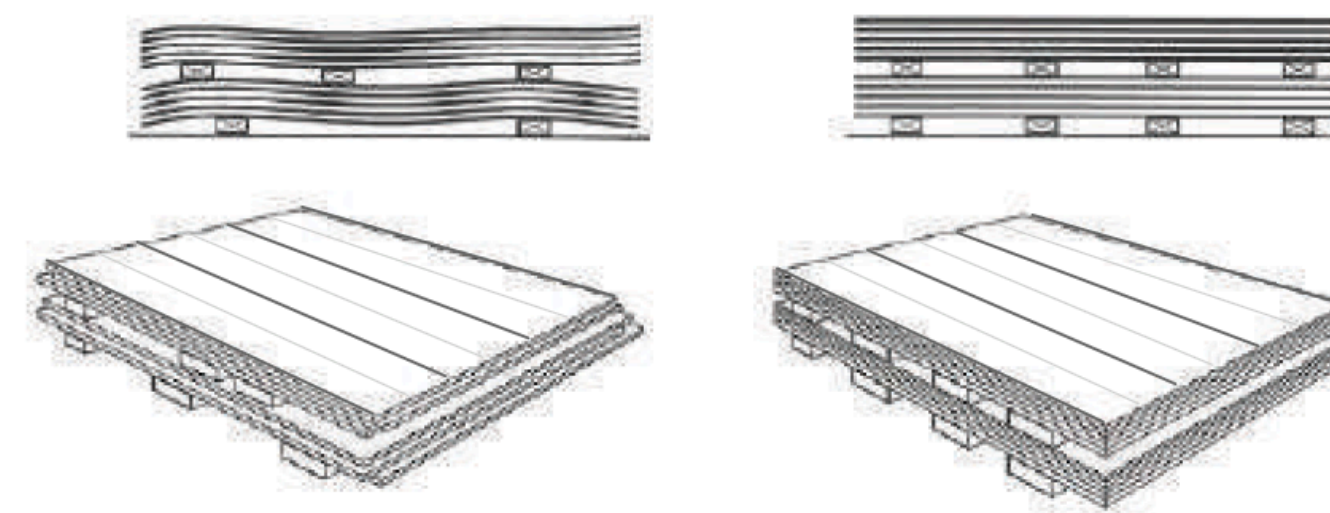


- 1.
- 2.
- 3.
- 4.
- 5.
- 6.

1. Check quality upon delivery
2. Keep stack well ventilated
3. Protect from dirt and dust
4. Allow airflow under waterproof cover / tarpaulin
5. Store packets on well drained ground
6. Protect from sun damage

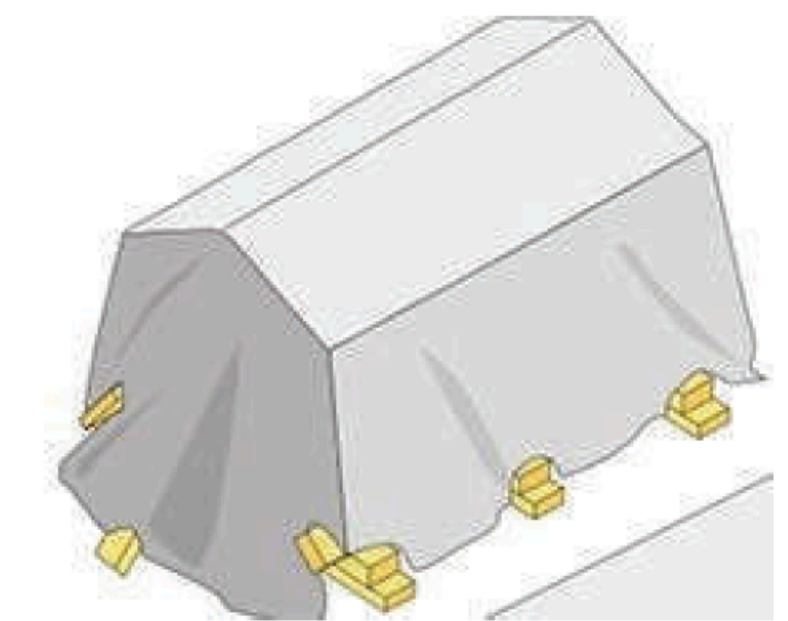
WRONG

RIGHT



Ensure panel packets are stored on level ground and fillets are aligned to avoid any deformation of panels.

Securely cover packets of panels with ventilation under the tarpaulin.





SET OUT Take time to get it right !

1. Working with property boundary fencing it is very important to make sure accurate positioning of the fence panels.

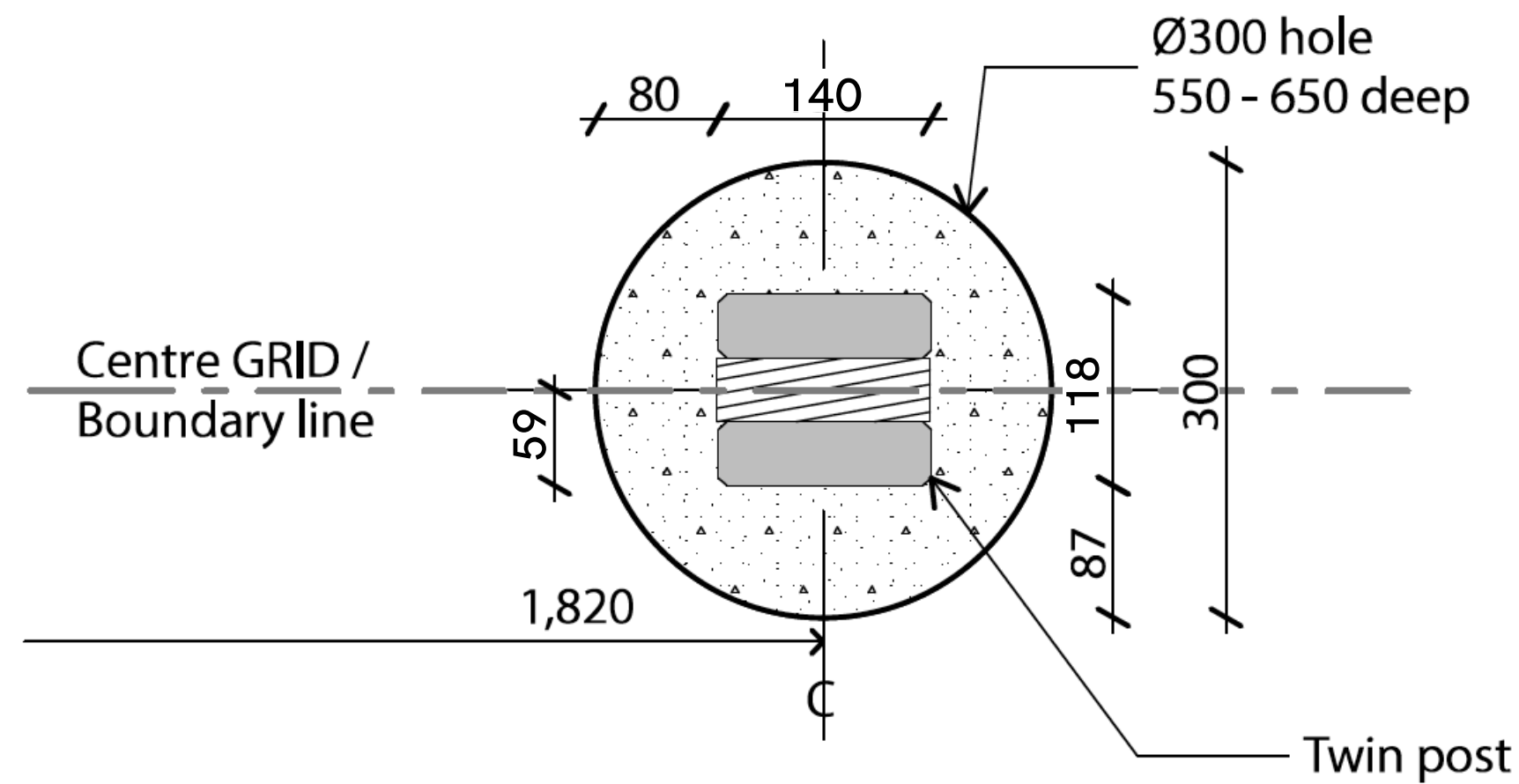
i) Locate boundary pegs :- Ensure boundary pegs are identified so fence panel is set to centre of the line. Confirm with owner.

ii) If no boundary pegs :- Main site contractor or Surveyor must confirm the boundary position

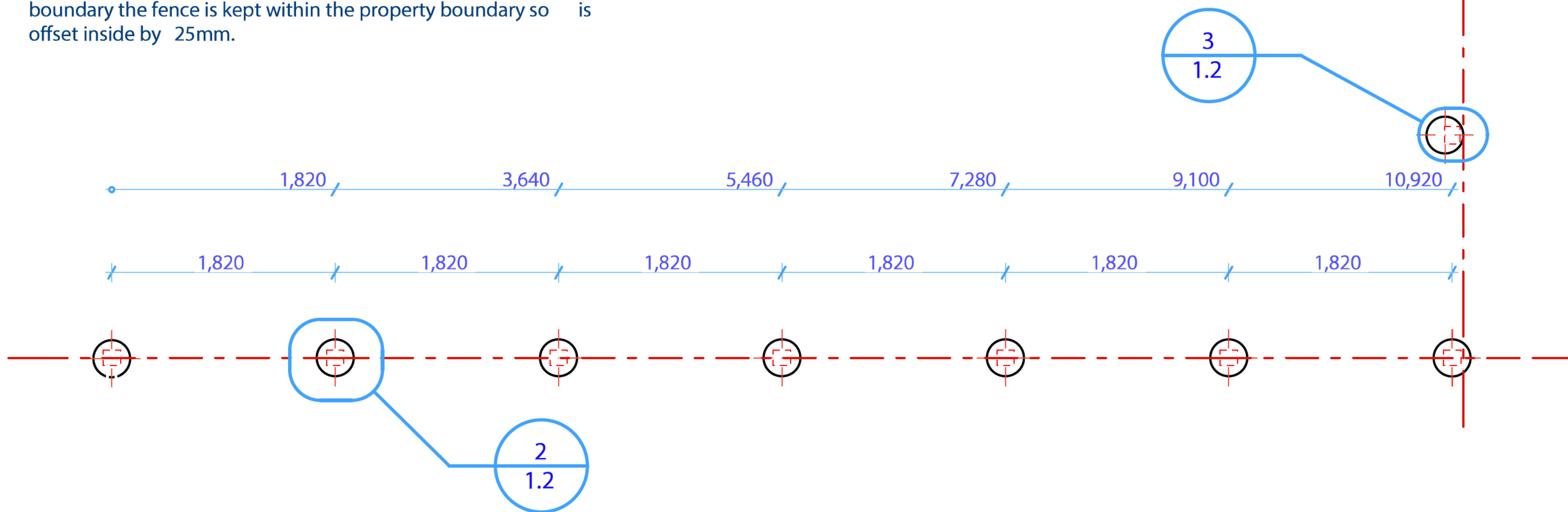
2. The set out grid lines are determined by the final placement of the fence being usually one of two options;

i) Centre of the Boundary :- Between two properties the fence posts are centred on the boundary line.

ii) Inside the Boundary :- On the street front boundary the fence is kept within the property boundary so is offset inside by 25mm.



2	Post in hole set out	3	Offset Boundary
1:10		1:10	



1 Set Out 1:50

Note: LOCATE BOUNDARY PEGS BEFORE SET OUT - CONFIRM WITH OWNER

Laminata

SHEET	SHEET TITLE: Set Out	Installation Manual
1.2	REVISION #:	
ISSUED:	18/10/2017	PHONE: 021 215 5865
PROJECT #:	16LAMI	FAX: -

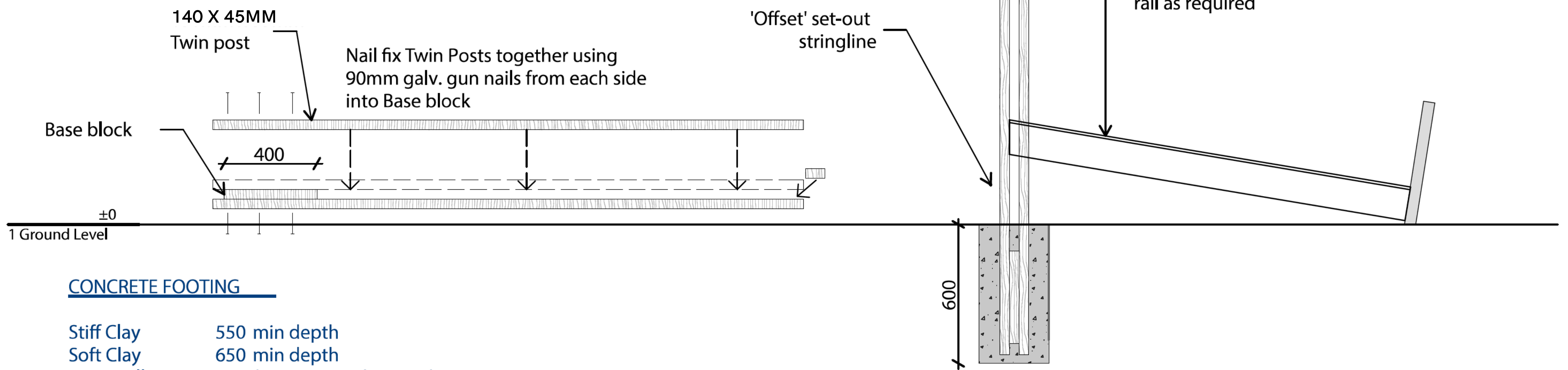


ASSEMBLE TWIN POSTS

Nail fix the base block to the inside of one post. Nail fix the second Twin Post through the base block.

Screw fix a temporary 'T' 30mm spacer to the top of the post to ensure it is held square and is easy to align. (optional)

Top 'offset' set-out stringline
Screw fix temp. 30mm spacer block (optional)



CONCRETE FOOTING

Stiff Clay	550 min depth
Soft Clay	650 min depth
Loose Fill	Dig down to good ground

CONCRETE MIX

Ratio = 6:1 Builders mix 6 : 1 Cement

SET UP CORNER OR END OF RUN TWIN POSTS

Set up end / corner posts first and string setout line between with offset to outside of post to make it easy to align the posts between.

1

Post placement

1:25

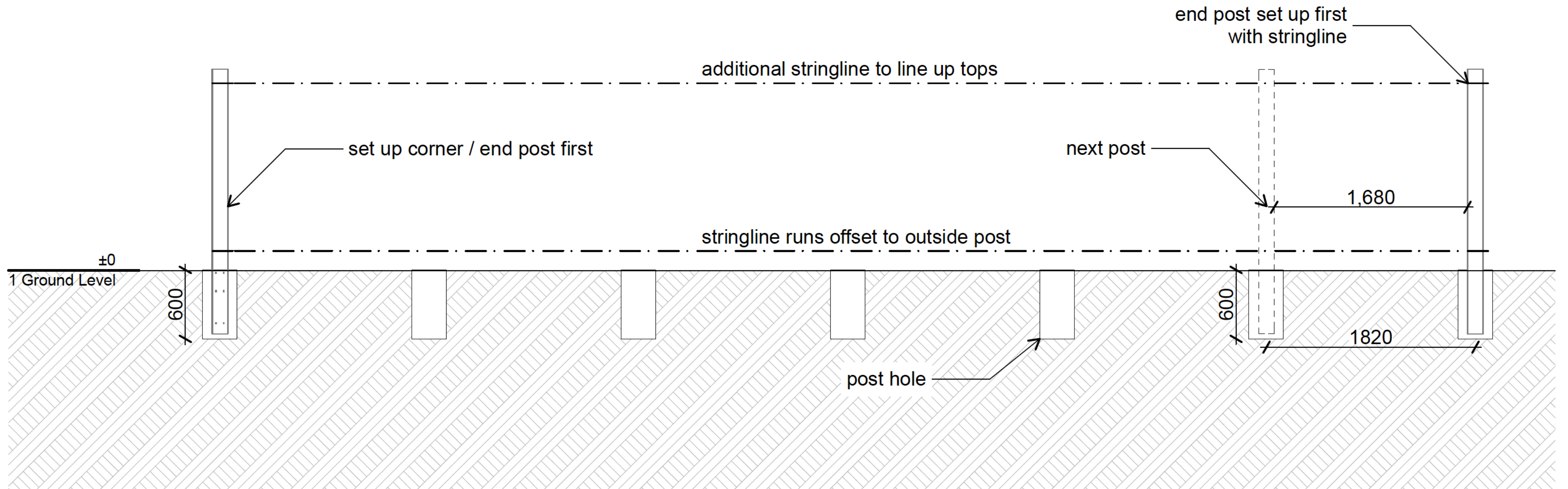
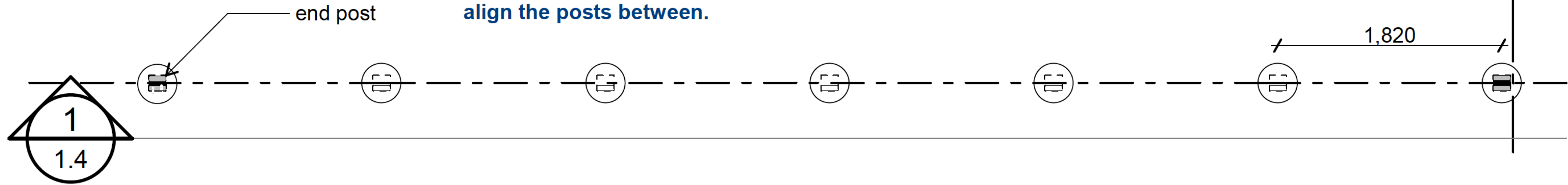
Laminata

SHEET	SHEET TITLE: Post in hole
1.3	REVISION #:
ISSUED: 18/01/2018	PROJECT #: 16LAMI
Installation Manual	
PHONE: 021 215 5865	
FAX: -	



ALIGN POSTS *Ensure corner / end set out posts are right!*

Set up end / corner posts first and string setout line between with offset to outside of post to make it easy to align the posts between.



1

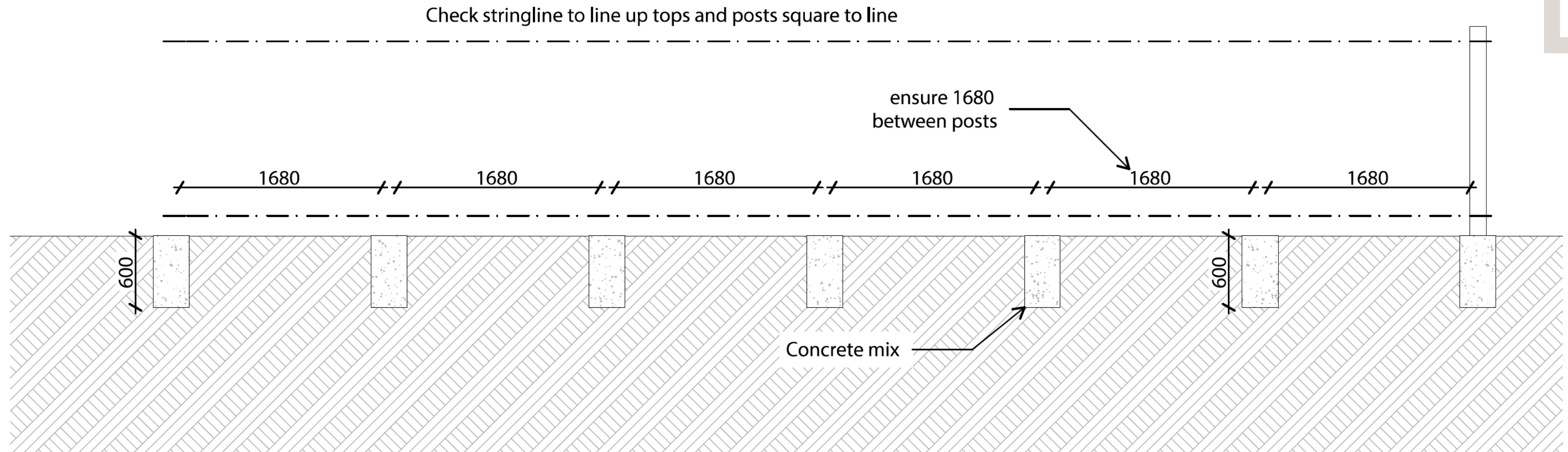
Post Set Up

1:50

Note: CHECK MEASUREMENTS - 1680 BETWEEN POSTS

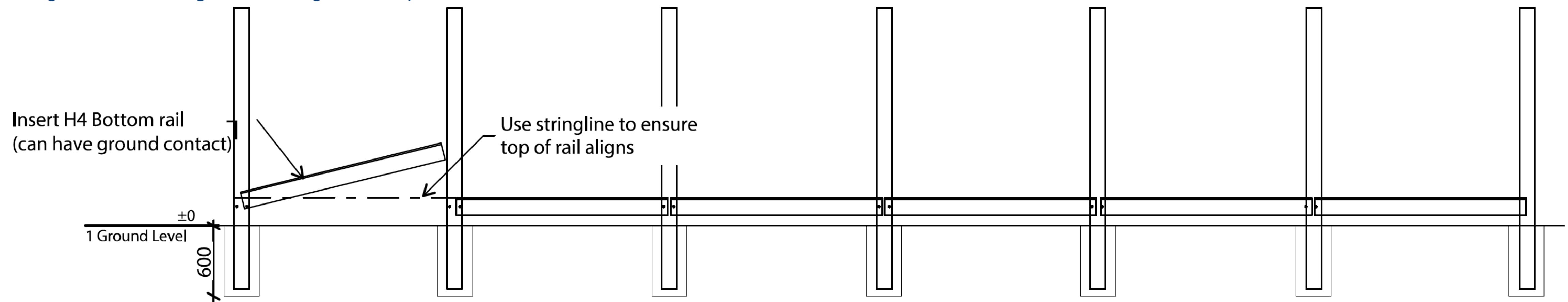
Laminata

SHEET	SHEET TITLE: Post Holes	1.4	Installation Manual
REVISION #:			
ISSUED:	18/10/2017		PHONE: 021 215 5865
PROJECT #:	16LAMI		FAX: -



CONCRETE IN POSTS Ensure corner 1680 between

Use 6:1 ratio concrete to fill holes. Check posts with stringline to ensure alignment during and after pour.



1

Concrete in posts

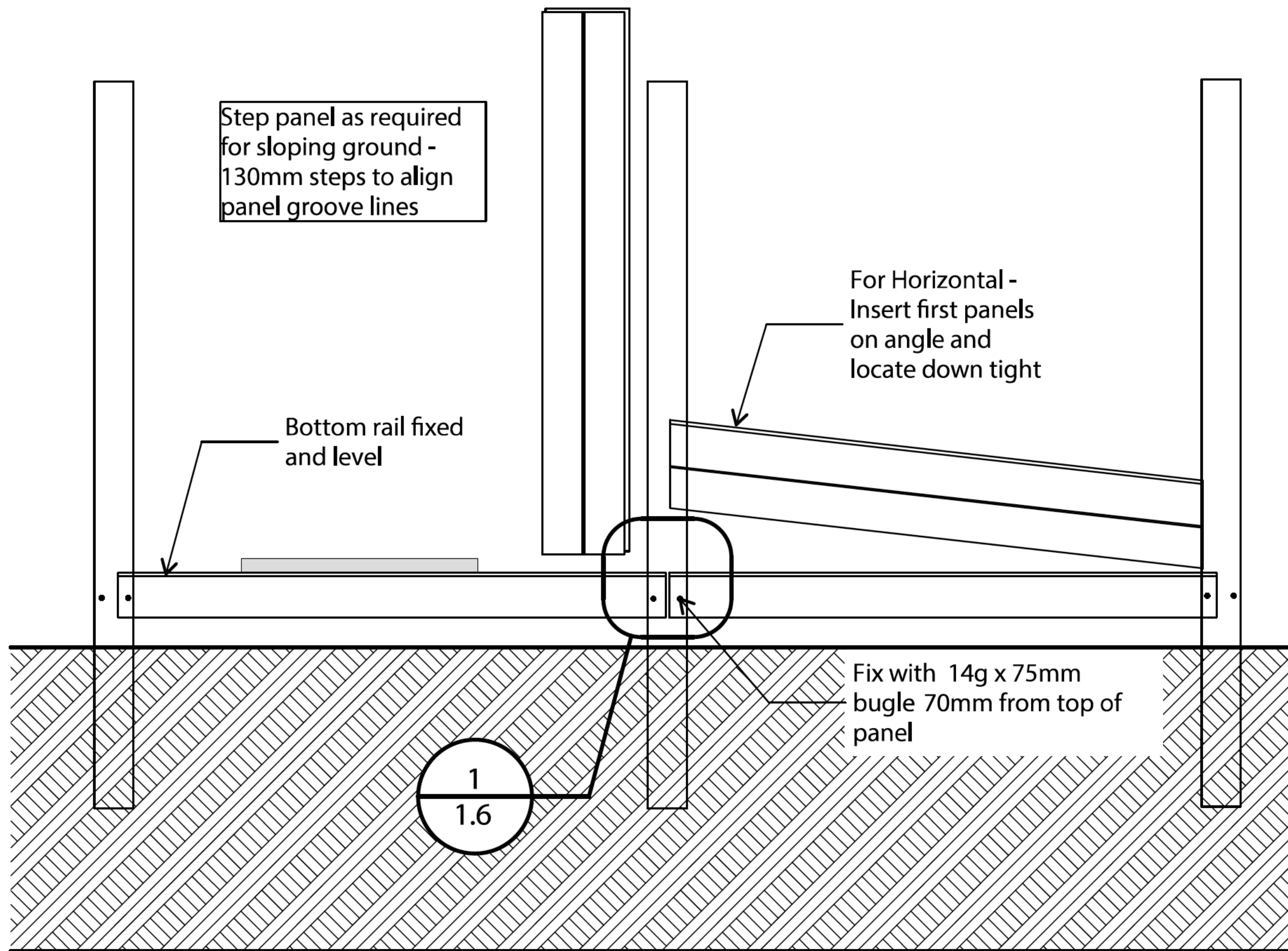
1:50

FIX BASE PANELS Base panels must be level & aligned

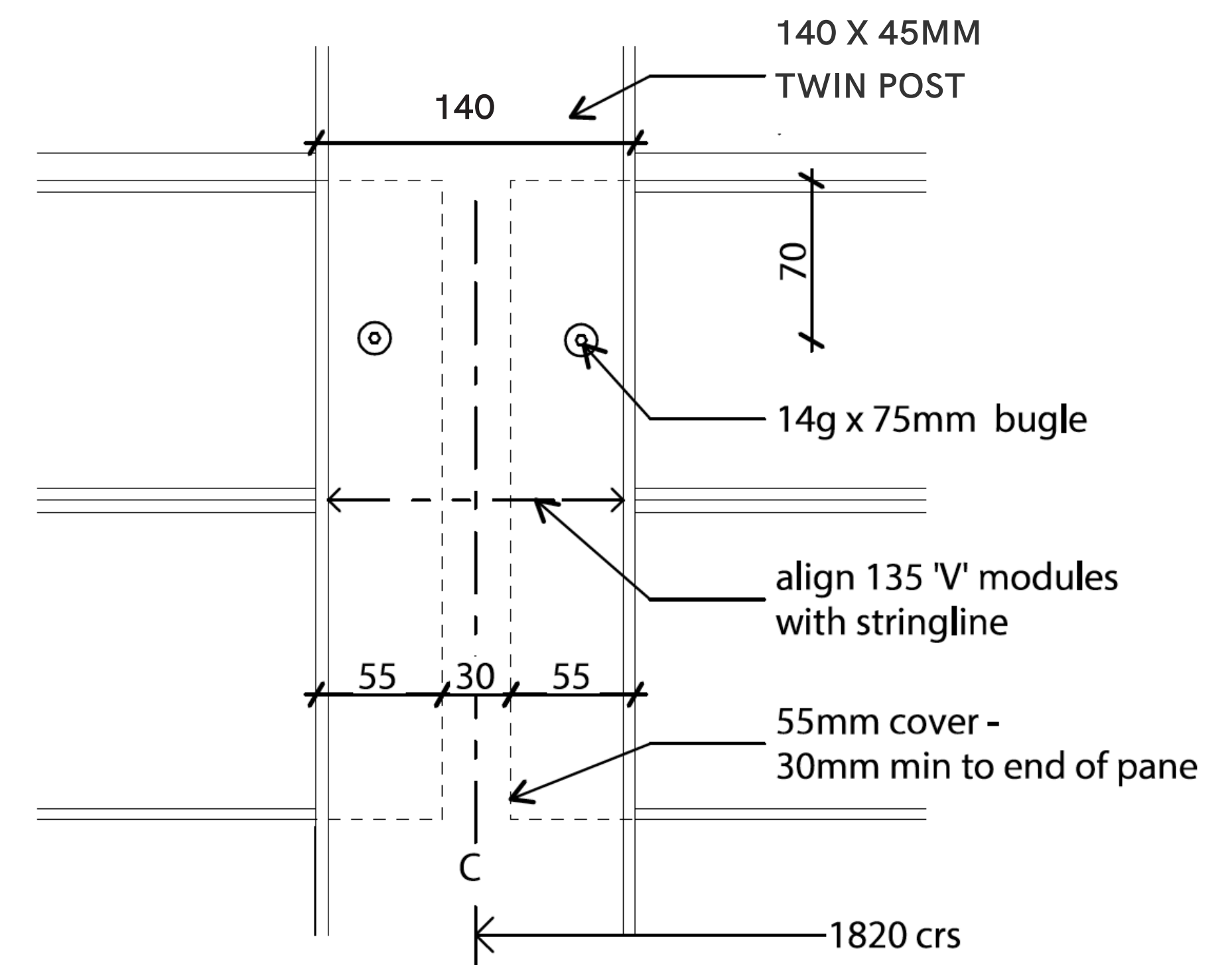
The base row of panels sets up all the fence panels above so this must be level and aligned. If steps are required for sloping ground ensure 135mm step modules align the 'V'groove - see Stepped Fence 1.10

Laminata

SHEET	SHEET TITLE: Concrete and Base	1.5	Installation Manual
REVISION #:			
ISSUED:	18/01/2018	PHONE: 021 215 5865	
PROJECT #:	16LAMI	FAX: -	



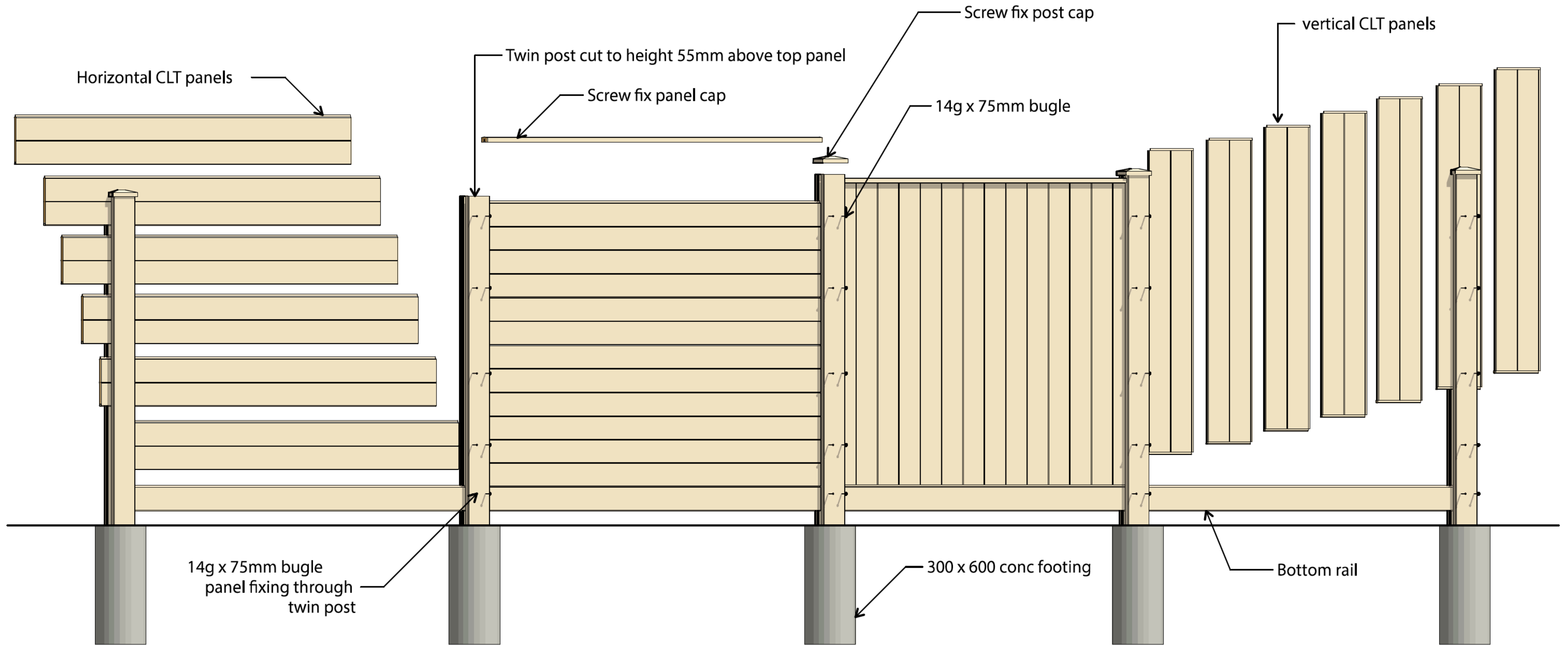
2 panel placement 1:25



1 Panel Fixing Detail 1:5

BASE PANEL ALIGNMENT

The base panel must be set out and installed along the entire run of the fence to work out the 130mm stepping. Double check with a stringline that all the panel grooves line up. Fix off securely all the base panels with 2 x 14g screws before installing the remaining panels.



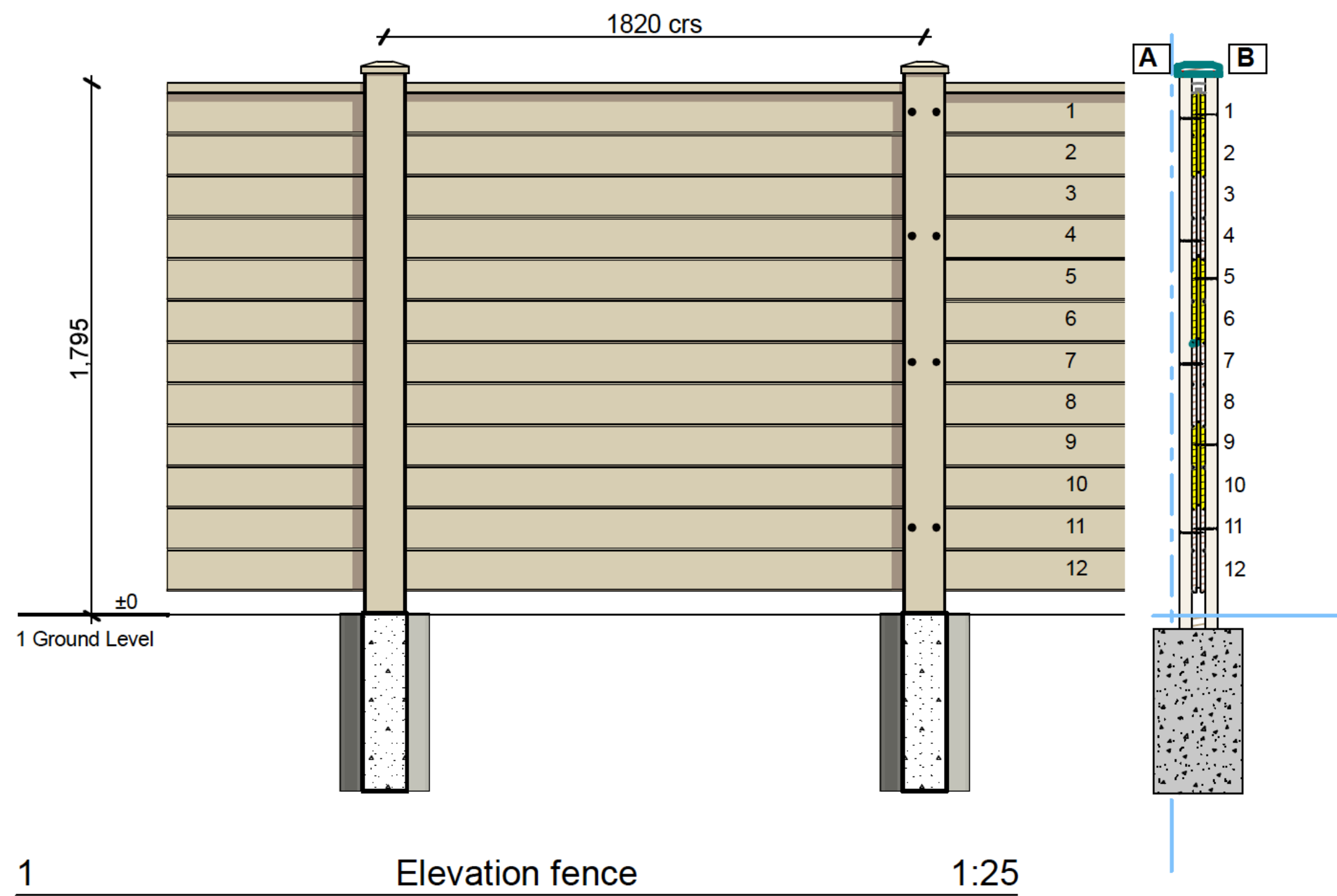
Assembly

PANEL & CAP ASSEMBLY

With the Base panels set up and secured in place along the entire length of the fence, the remaining panels can then be inserted. The panels are to be tight down when placed and fixed using the fixing pattern - See 1.8. The Twin post is then cut to length 55mm above the top of last panel (not tongue). Insert the 40mm x 30mm centre infill - this is increased in size on a stepped fence - See 1.10. Then panel & post caps are fitted to complete the fence.

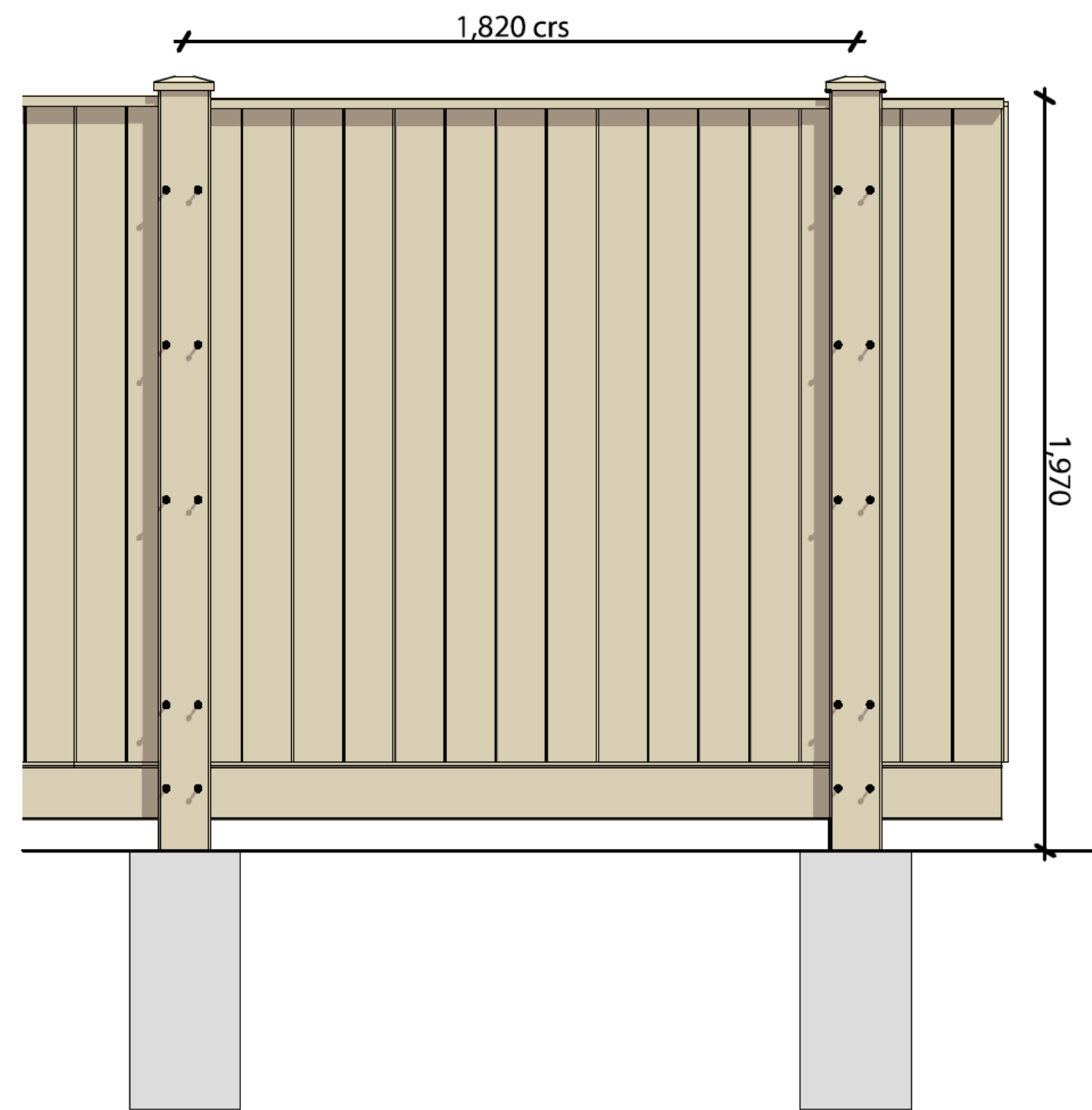
Laminata

SHEET	SHEET TITLE: Assembly	1.7	Installation Manual
	overview		
	REVISION #:		
ISSUED:	18/01/2018		PHONE: 021 215 5865
PROJECT #:	16LAMI		FAX: -



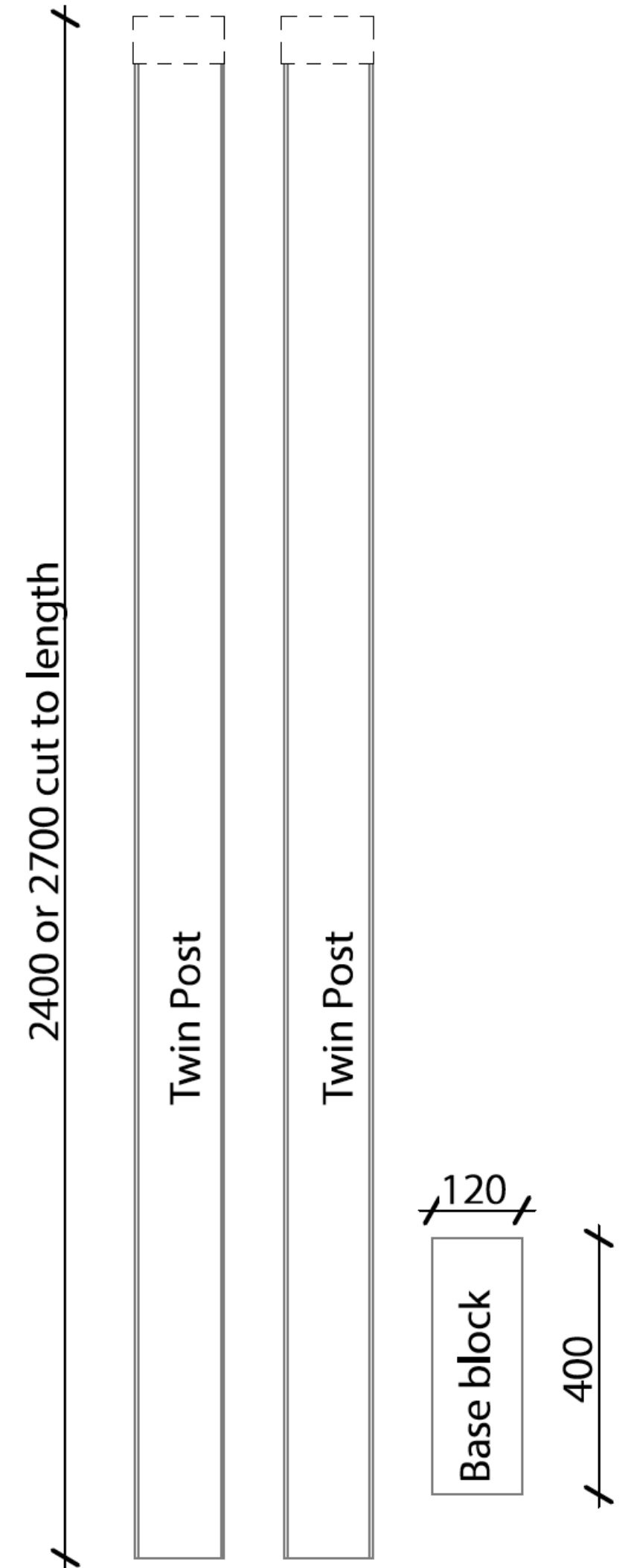
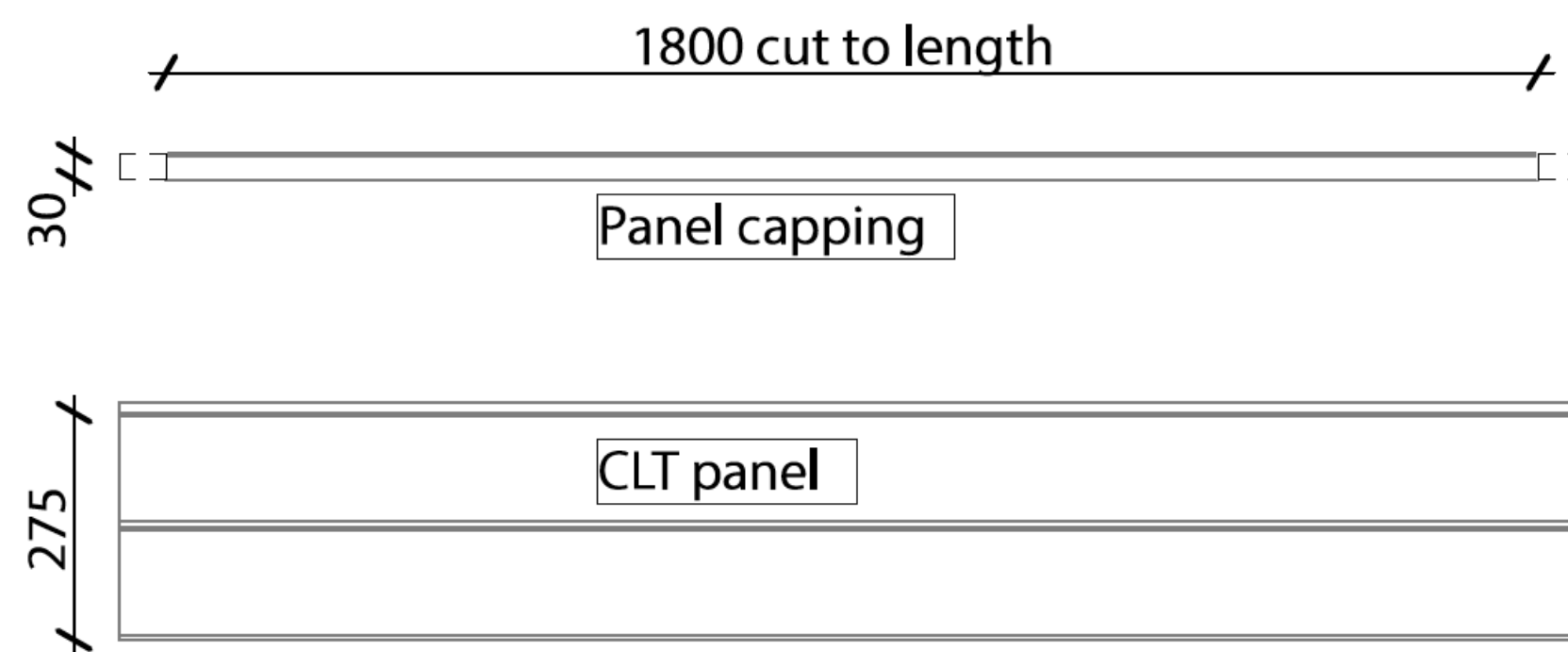
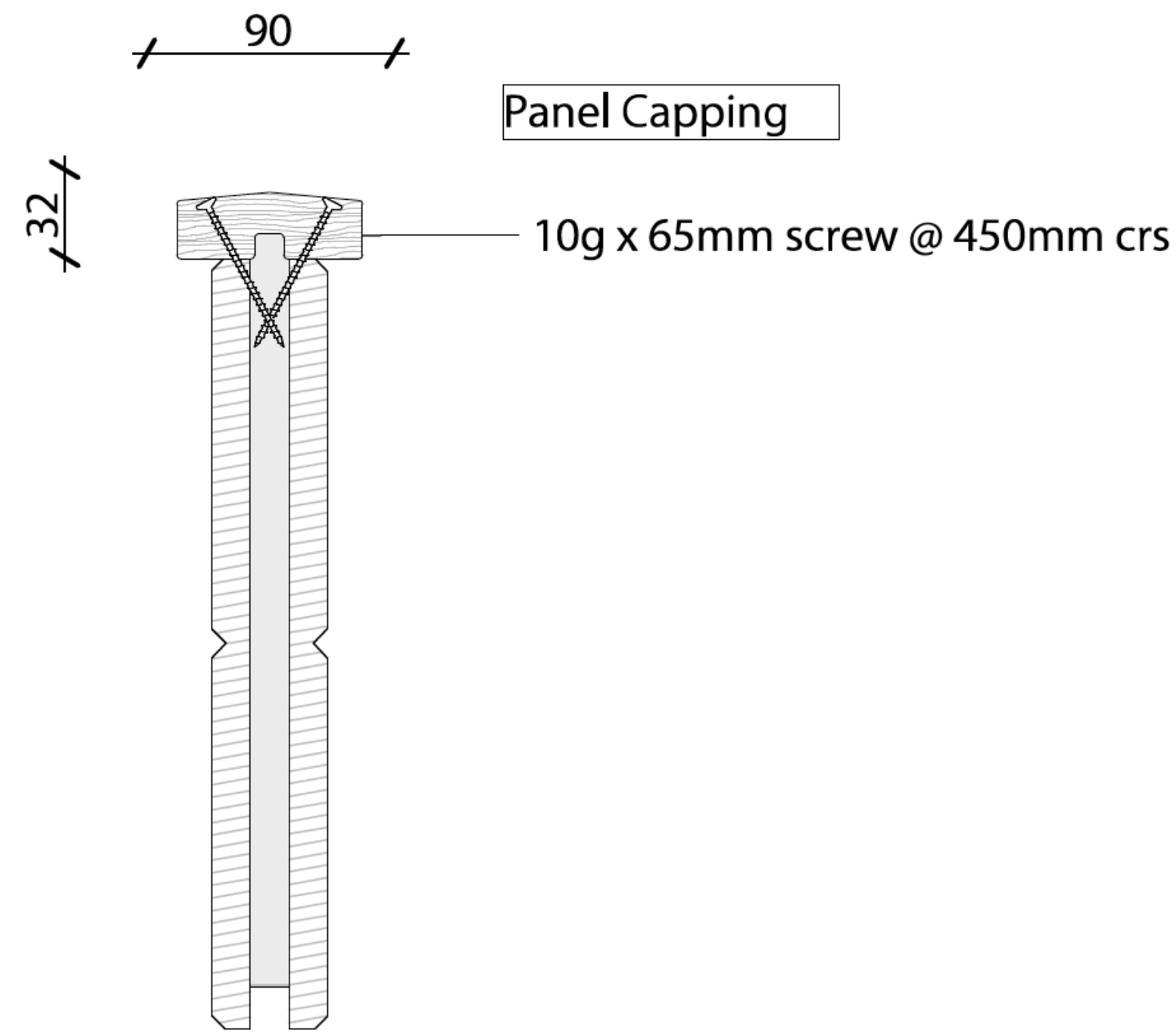
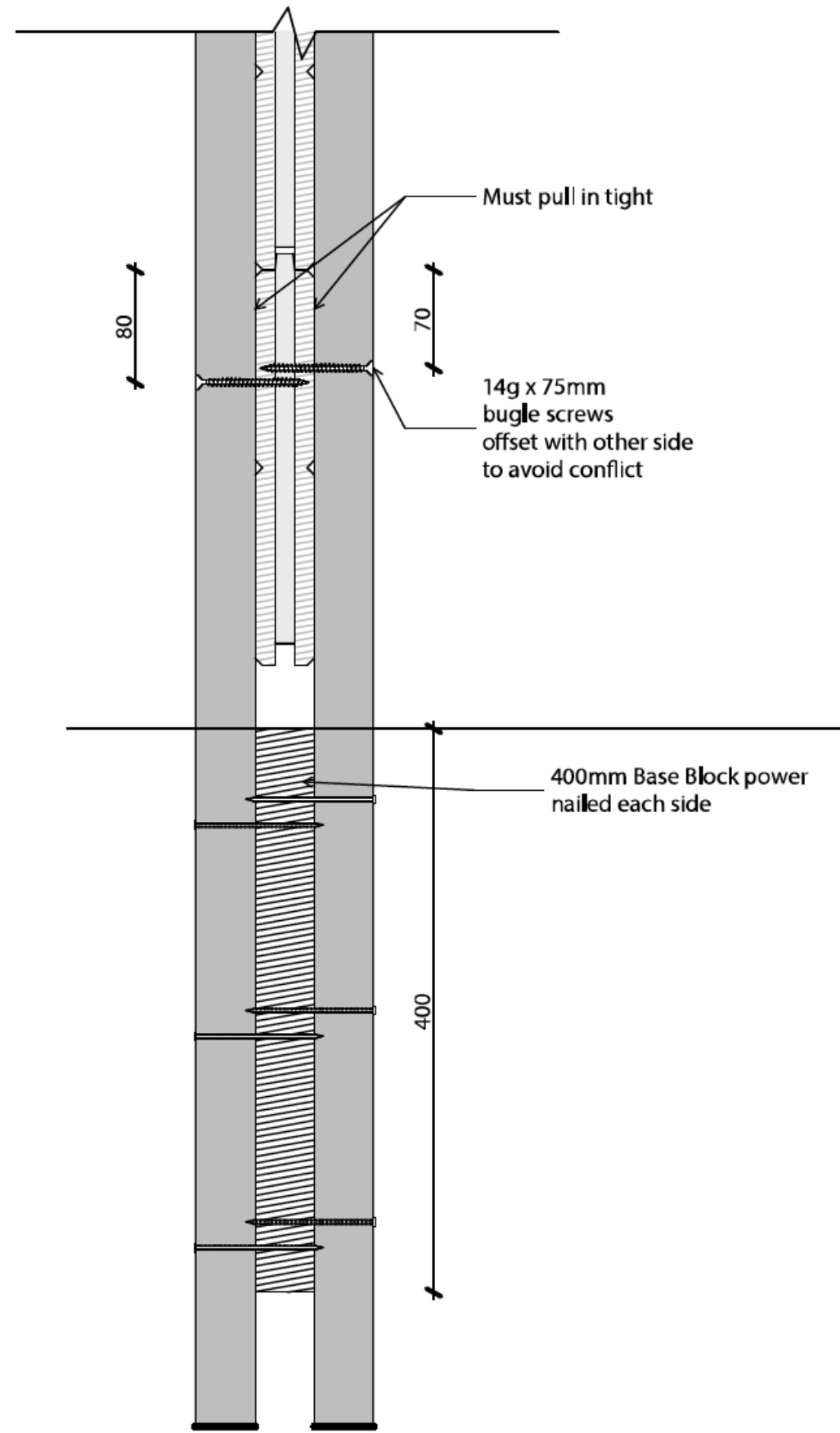
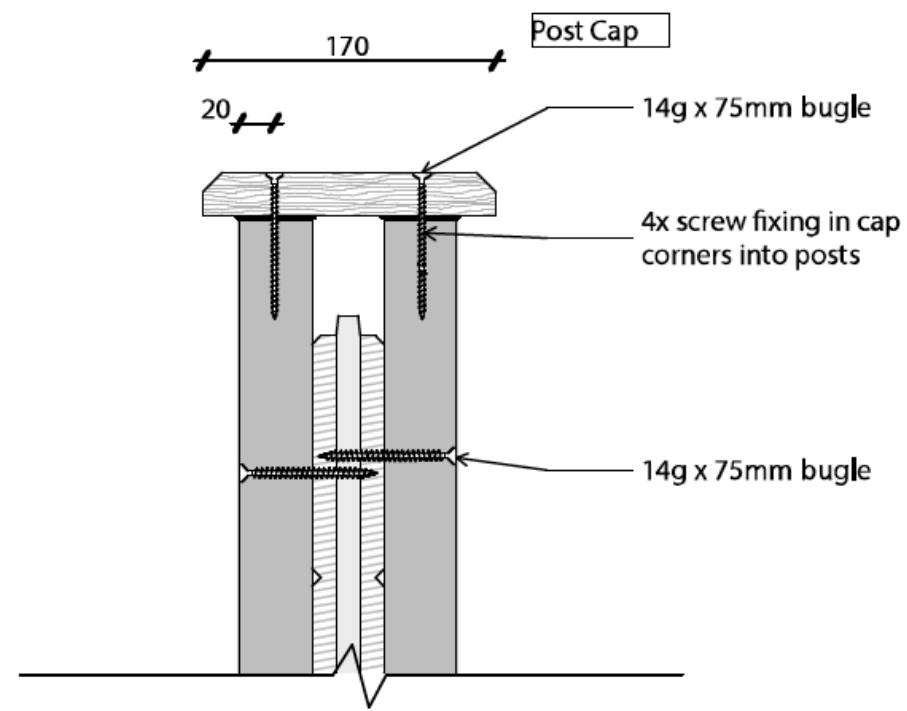
FIXING PATTERNS

<u>Fence Height</u>	<u>Side A</u>	<u>Side B</u>
1200	1,4,7	1,5,7
1500	1,4,7,9	1,5,9
1800	1,4,7,11	1,5,9,11
2100	1,4,7,11,13	1,5,9,13

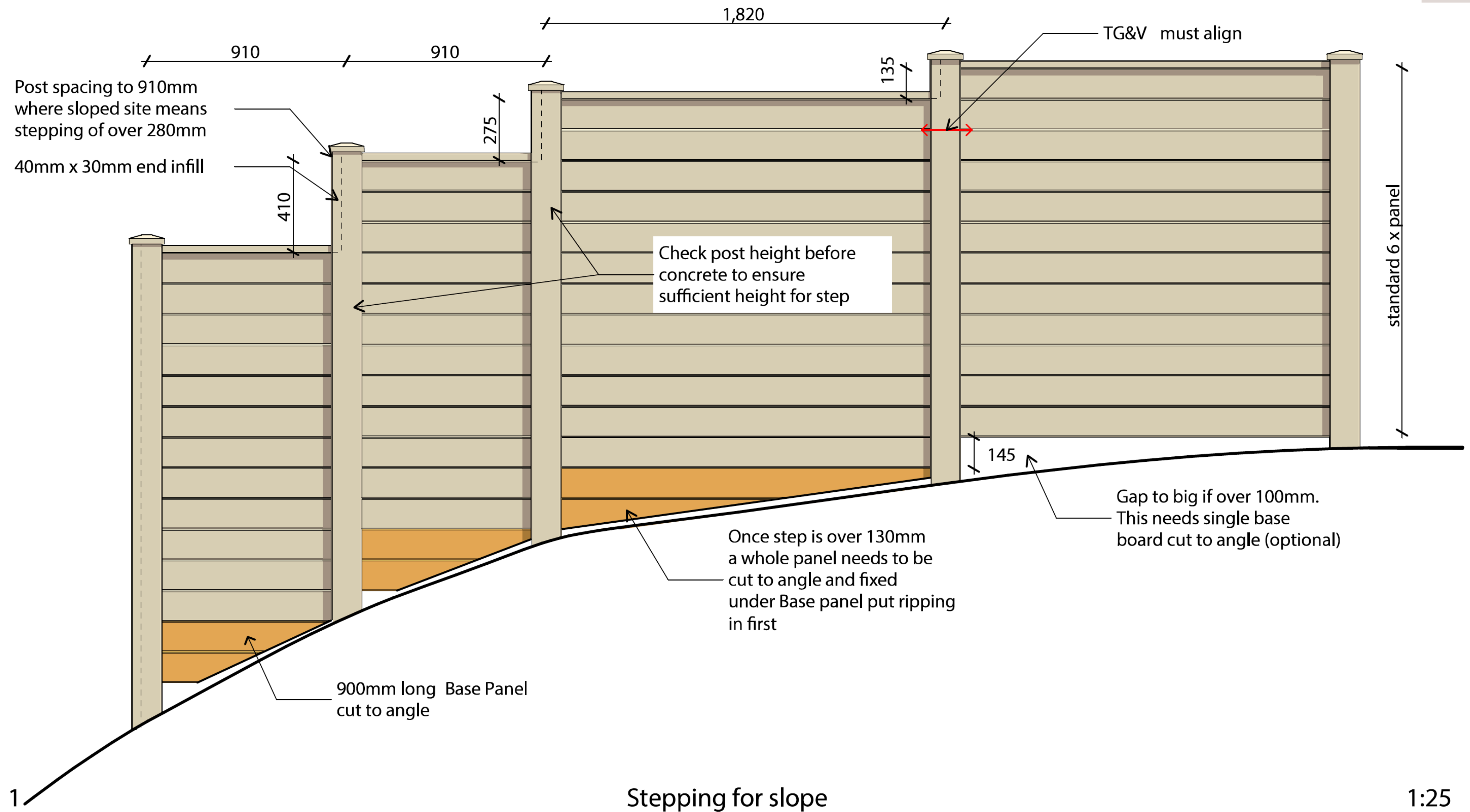


FIXING PATTERNS

The screw fixing pattern alternates for side A and side B so the each panel is fixed once through the Twin Post. The top and bottom panels are always fixed from both sides



SHEET	SHEET TITLE: Component	Installation Manual
1.9	Fixing	
	REVISION #:	
	ISSUED: 18/10/2017	PHONE: 021 215 5865
	PROJECT #: 16LAMI	FAX: -

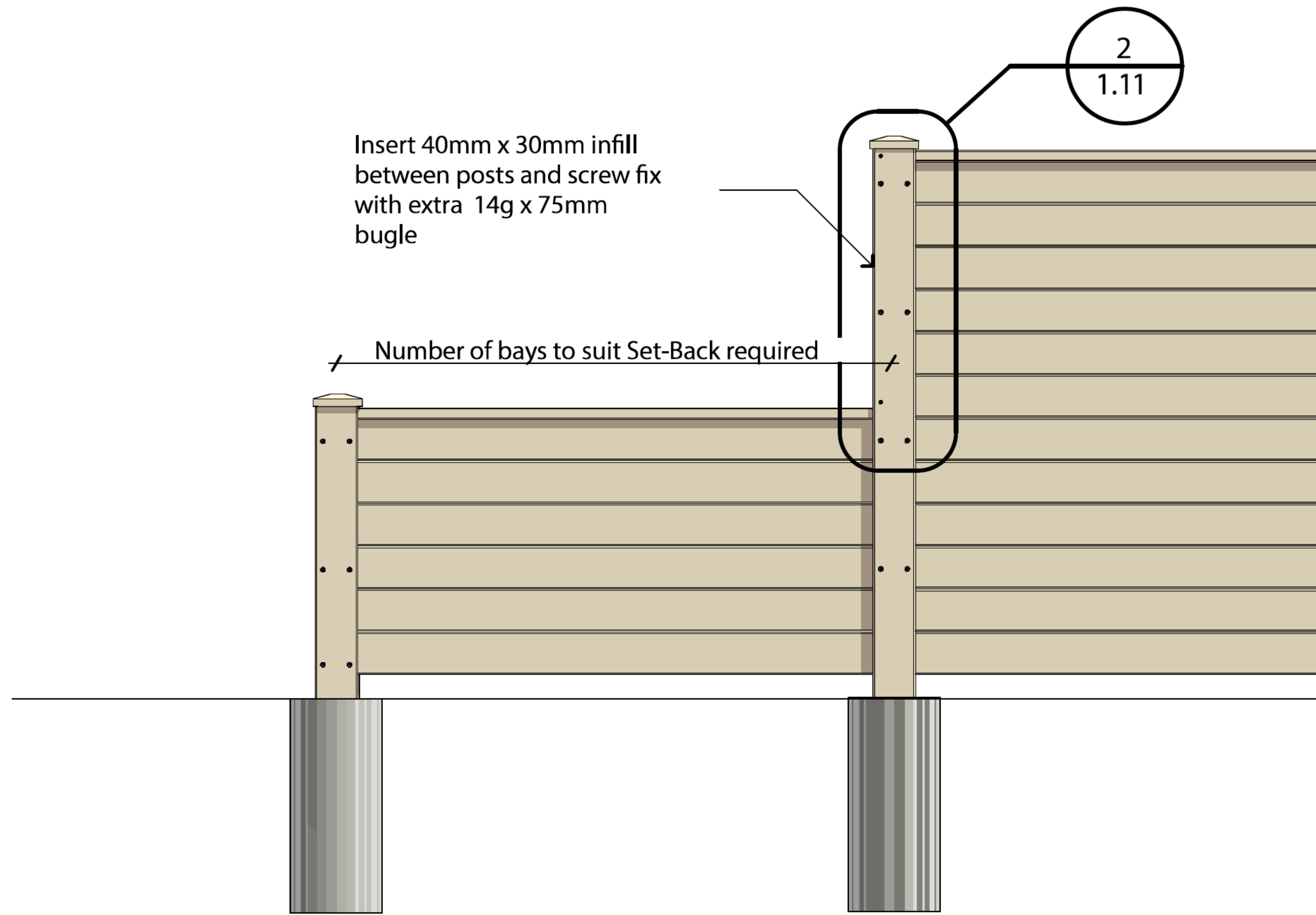


STEPPING FOR SLOPED SITES

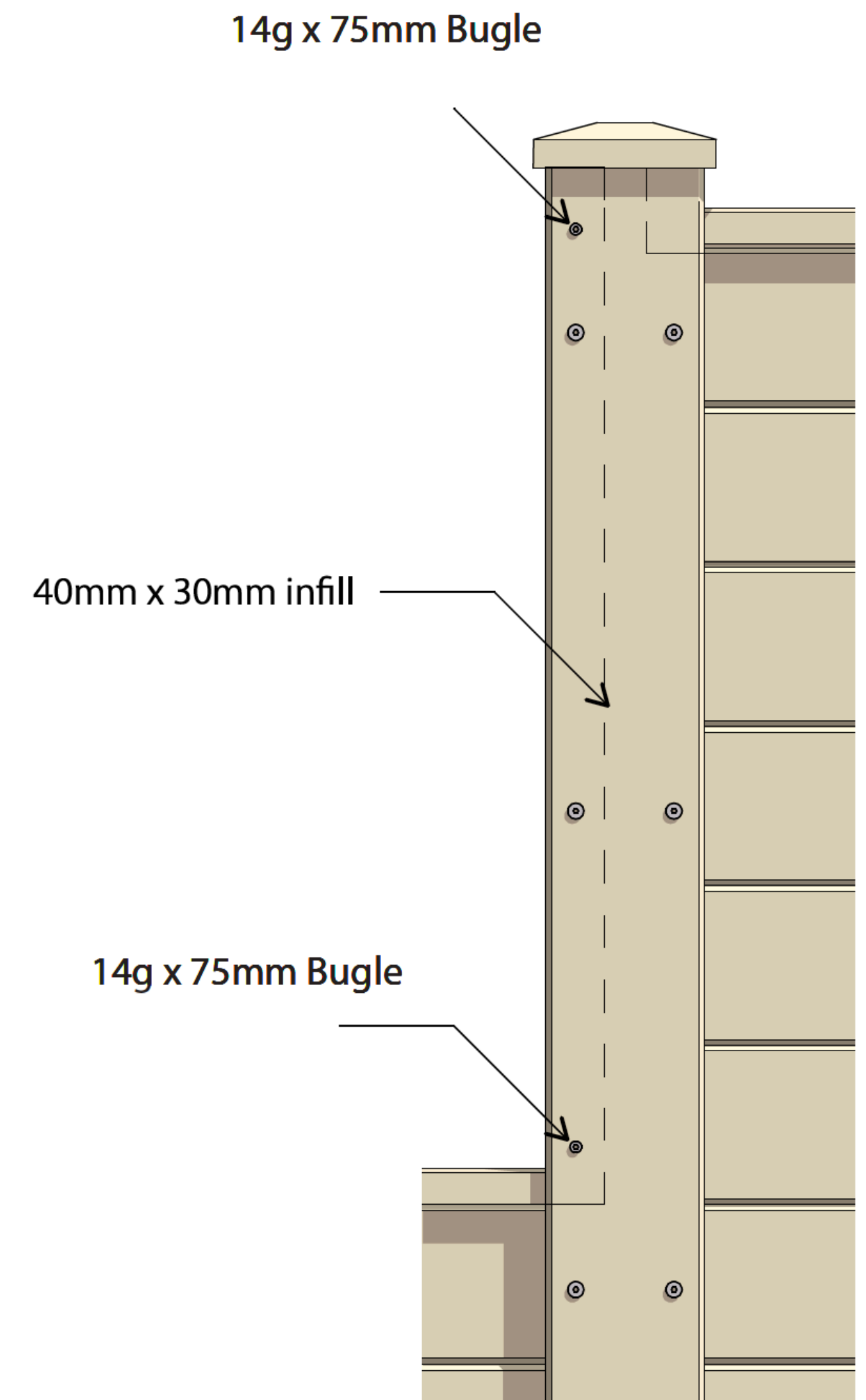
It is important to set out the stepping for sloped sites BEFORE any post holes are drilled. Stepping of top of panels is in 130mm MODULES ONLY. Ensure posts have sufficient height to be cut for steps. Once step is over 275mm then post spacing should be reduced to 900mm

Laminata

SHEET	SHEET TITLE: Stepped	1.10	Installation Manual
Fence	REVISION #:		
ISSUED: 18/10/2017	PROJECT #: 16LAMI	PHONE: 021 215 5865	FAX: -



1 Step to street 1:25



2 Detail 1:10

SHEET	SHEET TITLE: Street Front	Installation Manual
1.11	step	
	REVISION #:	
	ISSUED: 18/10/2017	PHONE: 021 215 5865
	PROJECT #: 16LAMI	FAX: -

Contact us.

Laminata Group

T +64 (0508) 526 462

E hello@laminata.nz

1213 State highway 10,
Kerikeri, 0293, New Zealand
www.laminata.nz

Ready. Set. Fence.

Laminata